



PICASSO LIGHTING

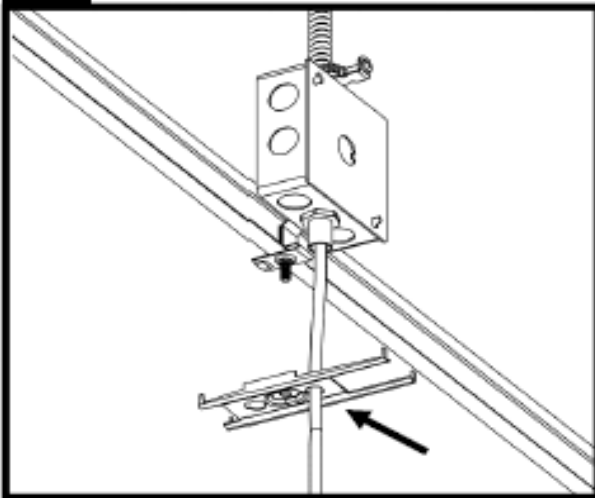
Instruction Sheets

Truss

System Overview

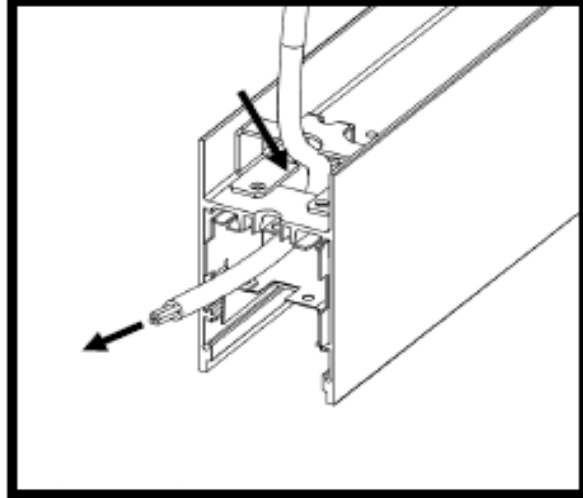
These instructions review how to install Picasso Lighting fixtures. Many of our products can be installed as individual standalone units, or they can be joined together to create continuous runs. The graphics below show the components required to install one of our fixtures. You must be a licensed electrician to install in accordance with national and local building and electrical codes. If you need help interpreting the instructions below or you have a special field condition do not modify fixture it will void warranty , contact us at 201-246-8188 and ask to speak with one of our

5 Power Feed Preparation



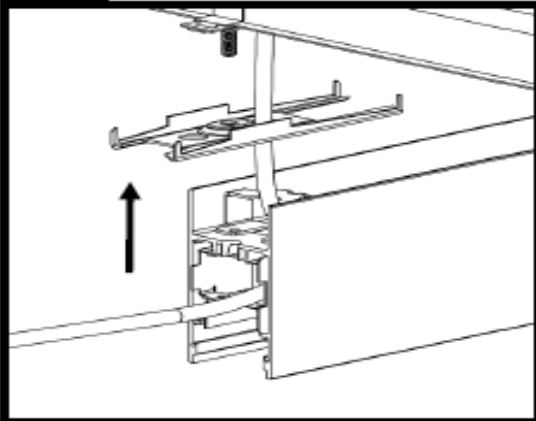
With the junction box installed according to code, thread the surface bracket onto the power wire as seen above.

6 Power Wire Routing



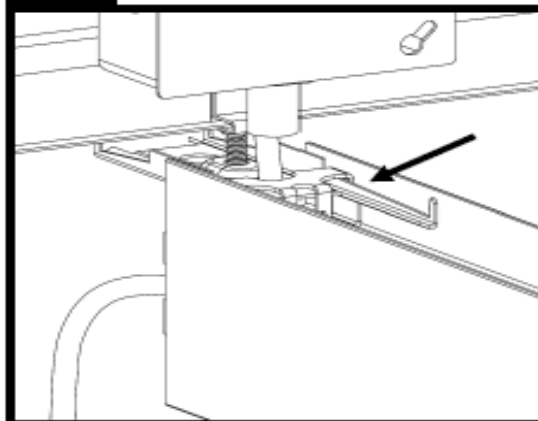
Bring the power wire through the machined detail and out the end of the first fixture.

7 Raise Fixture to Ceiling



Bring the fixture and joiner closer to ceiling while pulling the extra length through the fixture.

8 Surface Bracket Mounting



Hook the surface bracket into the luminaire and finish raising the fixture to the ceiling. Loosely fasten the nut below the bracket to the ceiling to support this end of the first fixture. See step 12 for another view of the hook detail.



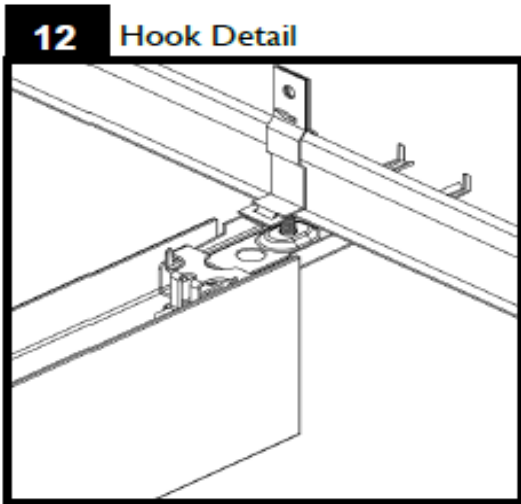
PICASSO LIGHTING

Instruction Sheets

Truss

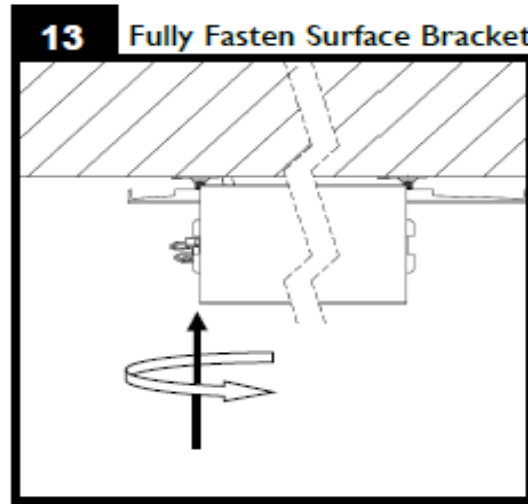
System Overview

These instructions review how to install Picasso Lighting fixtures. Many of our products can be installed as individual standalone units, or they can be joined together to create continuous runs. The graphics below show the components required to install one of our fixtures. You must be a licensed electrician to install in accordance with national and local building and electrical codes. If you need help interpreting the instructions below or you have a special field condition do not modify fixture it will void warranty , contact us at 201-246-8188 and ask to speak with one of our



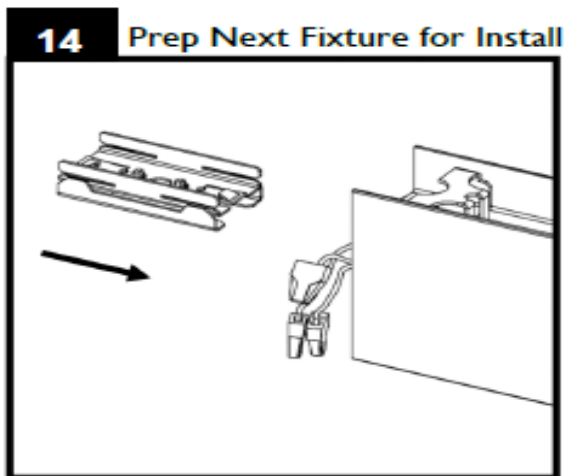
12 Hook Detail

The surface mount bracket hooks into the sheet metal bracket located in the top channel of the luminaire. Fasten the bracket to the ceiling (tight enough that the nut will not back off but loose enough that the next fixture can be hooked to the other end of the surface bracket).



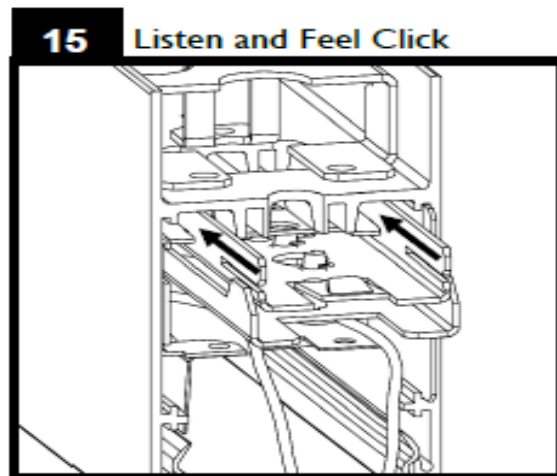
13 Fully Fasten Surface Bracket

Now that both sides of the luminaire are supported, fully fasten the nut below the bracket at the powered end of the fixture.



14 Prep Next Fixture for Install

Bring the power wires out the end of the next fixture and bend down. Insert the joiner bracket squarely into sheet metal cross plate.



15 Listen and Feel Click

Top tabs of the joiner should go between the extrusion and the sheet metal cross plate. The joiner bracket should seat fully and an audible and tactile click should be heard.