

# Apex Regress Lens

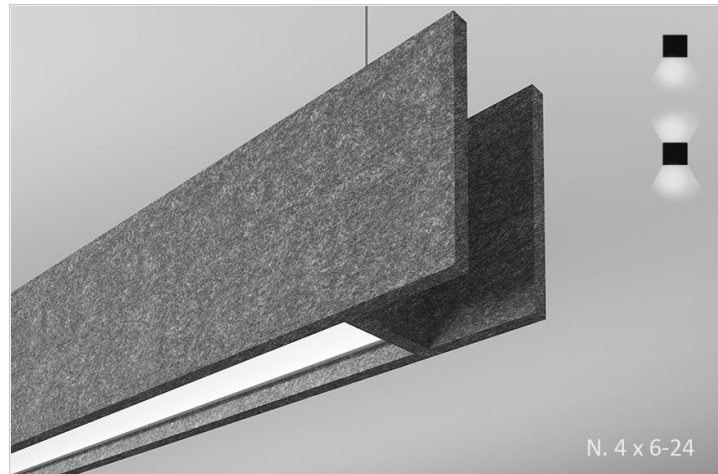
PENDANT ACOUSTIC

TYPE

PROJECT

## Overview

- /e'koostik/; the properties or qualities of a room or building that determine how sound is transmitted in it
- Apex Series was designed to recreate an industrial looking truss.
- DESIGNER SELECTIONS
- Acoustic Series come in 3 types, Apex Regress Lens, Echo Regress Lens and WAT - NON-LIT.
- Acoustic Series has multiple choices for canopies and colors, just scroll down for your choices.
- Acoustic Series is available in almost any CCT available in the market, we've selected the most popular, but don't let that stop you from asking for something different.
- Acoustic Series is available in direct only and direct/indirect for both liners lens. We can also tune in our drivers to specific lumen output if required.
- Acoustic Series is always available for your projects special customization needs, just contact your local agent.
- Acoustic Series qualifies as "Made in America" and is part of our ECO sustainable end of life program.
- For all: ies files, pictures, instructions, rfa files, and warranties...scroll to bottom.
- Please be advised that our Apex Series is available in Surface, Wall and Pendant
- Noise Reduction: An NRC rating of 0.45-0.9, almost 20 times that of a standard drywall.
- Fire Safety: Class A fire rating per ASTM E84, so there's no limit to where it can be used architecturally.



# Apex Regress Lens

PENDANT ACOUSTIC

TYPE

PROJECT

## Ordering Format

PART NUMBER: APX-PR

Size	Lumens Direct	Lumens Indirect	CCT Available	CRI Available
<b>4x6H</b> = 4 Feet x 6 Inches	<b>D3</b> = 350 LPF	<b>IBW120</b> = Batwing 120 Degree Beam	<b>27</b> = 2700 Kelvins	<b>80</b> = 80-85 CRI
<b>4x8H</b> = 4 Feet x 8 Inches	<b>D5</b> = 500 LPF	<b>I3</b> = 350 LPF	<b>30</b> = 3000 Kelvins	<b>90</b> = 90-95 CRI
<b>4x12H</b> = 4 Feet x 12 Inches	<b>D7</b> = 750 LPF	<b>I5</b> = 500 LPF	<b>35</b> = 3500 Kelvins	
<b>4x16H</b> = 4 Feet x 16 Inches	<b>D10</b> = 1000 LPF	<b>I7</b> = 750 LPF	<b>40</b> = 4000 Kelvins	
<b>4x24H</b> = 4 Feet x 24 Inches		<b>I10</b> = 1000 LPF	<b>TW</b> = Tunable White 2700-5000 Kelvins	
<b>8x6H</b> = 8 Feet x 6 Inches		<b>NN</b> = Not Needed		
<b>8x8H</b> = 8 Feet x 8 Inches				
<b>8x12H</b> = 8 Feet x 12 Inches				
<b>8x16H</b> = 8 Feet x 16 Inches				
<b>8x24H</b> = 8 Feet x 24 Inches				
<b>CL</b> = Custom Length - Add in Notes				
Direct Optics	Indirect Optics	Mounting	Driver / Voltage	Fixture Finish
<b>OW</b> = Opal White <b>MC</b> = Matte Clear	<b>ILW</b> = Lambertian White Lens <b>IF150</b> = Flat 150 Degree Beam <b>IA6040</b> = Asymmetric 60 Degree Beam @40 Degree Tilt <b>IA4560</b> = Asymmetric 45 Degree Beam @60 Degree Tilt	<b>AC1R</b> = Round 5in Canopy JBox - 5in Support <b>AC1S</b> = Square 5in Canopy JBox - 5in Support <b>ACD1R</b> = Round 5in Canopy JBox - 2in Support Slot Grid <b>ACD1S</b> = Square 5in Canopy JBox - 2in Support Slot Grid <b>ACD2R</b> = Round 5in Canopy JBox - 2in Support T Grid <b>ACD2S</b> = Square 5in Canopy JBox - 2in Support T Grid <b>ACUR</b> = Round 5in Canopy JBox - .5in Support Unistrut <b>ACUS</b> = Square 5in Canopy JBox - .5in Support Unistrut <b>ACRR</b> = Round 5in Canopy JBox - 2in Support 1/4 Rod <b>ACRS</b> = Square 5in Canopy JBox - 2in Support 1/4 Rod	<b>ND 1</b> = Non-Dim Universal 120VAC <b>ND 2</b> = Non-Dim Universal 277VAC <b>ZT 1</b> = 0-10v dimming 120v dual 1% <b>ZT 2</b> = 0-10v dimming 277v dual 1% <b>CC</b> = Custom Control - Add in notes <b>LE1</b> = Lutron EcoSystem 1% DLC EE CCR / PWM SoftOnFadeToBlack	<b>AM 1</b> = Frost <b>AM 2</b> = Chambray <b>AM 3</b> = Smoke <b>AM 4</b> = Pewter <b>AM 5</b> = Slate <b>AM 6</b> = Tar <b>AM 7</b> = Ecru <b>AM 8</b> = Bark <b>AM 9</b> = Linen <b>AM 10</b> = Sunshine <b>AM 11</b> = Mandarin <b>AM 12</b> = Grass <b>AM 13</b> = Ochre <b>AM 14</b> = Sky <b>AM 15</b> = Cobalt <b>AM 16</b> = Ivory <b>AM 17</b> = Cadet <b>AM 18</b> = Eucalyptus <b>AM 19</b> = Fossil <b>AM 20</b> = Greige <b>AM 21</b> = Ironbark <b>AM 22</b> = Malachite <b>AM 23</b> = Merbau <b>AM 24</b> = Spotted Gum

# Apex Regress Lens

PENDANT ACOUSTIC

TYPE

PROJECT

Canopy/Power Cord Color	Options
<b>CWPW</b> = Canopy White/Power Cord White	<b>AWN</b> = Lutron Athena Wireless Node (RF only)
<b>CBPW</b> = Canopy Black/Power Cord White	<b>AWNS</b> = Lutron Athena Wireless Node (with Sensor)
<b>CBPB</b> = Canopy Black/Power Cord Black	<b>2C</b> = 2 circuit wiring Direct /Indirect
<b>CBPW</b> = Canopy Black/Power Cord White	<b>IW</b> = Inverter Wiring
	<b>CA</b> = Custom Angle = add in notes
	<b>EMD</b> = Emergency Driver - Battery Backup 120-277VAC
	<b>OS</b> = Occupancy Sensor
	<b>MR</b> = Add MR-16 style Downlight

**NOTES**

**ORDER NUMBER:**

# Apex Regress Lens

PENDANT ACOUSTIC

TYPE

PROJECT

## Construction & Mounting

### HOUSING

Sides are 1/2" x 6" thick acoustic sound reduction linear panels and are supplied in nominal lengths of 4 ft., 6 ft., 8 ft.. Side panels are secured with decorative thumb screws. Side panels do not need to be removed during installation or for maintenance. Fixtures may be continuously rowed (contact factory for details). Internal components are constructed from min. 20 gauge die-formed steel. Easy access to driver and LED boards. Custom sizes are available.

### REFLECTOR

Integral powder-coated LED housings with excessive reflectivity for increased lumen output is built into our luminaires

### FINISH

Please use color chart below to select your acoustic sound reducing panels.

### OPTICS

Direct component provided with a soft white acrylic lens formulated for LED light sources. Lens lifts out for maintenance. Indirect LED strips are mounted in an extruded aluminum channel with an integral clear acrylic dust cover.

### MOUNTING

Cable mounting with various size canopies and power feeds. If not selected in options, canopy color and cord will be white. Cable uses gripper style locking for field adjustments. Canopy mounts to standard J-box. Can also be stem mounted. See options for more information.

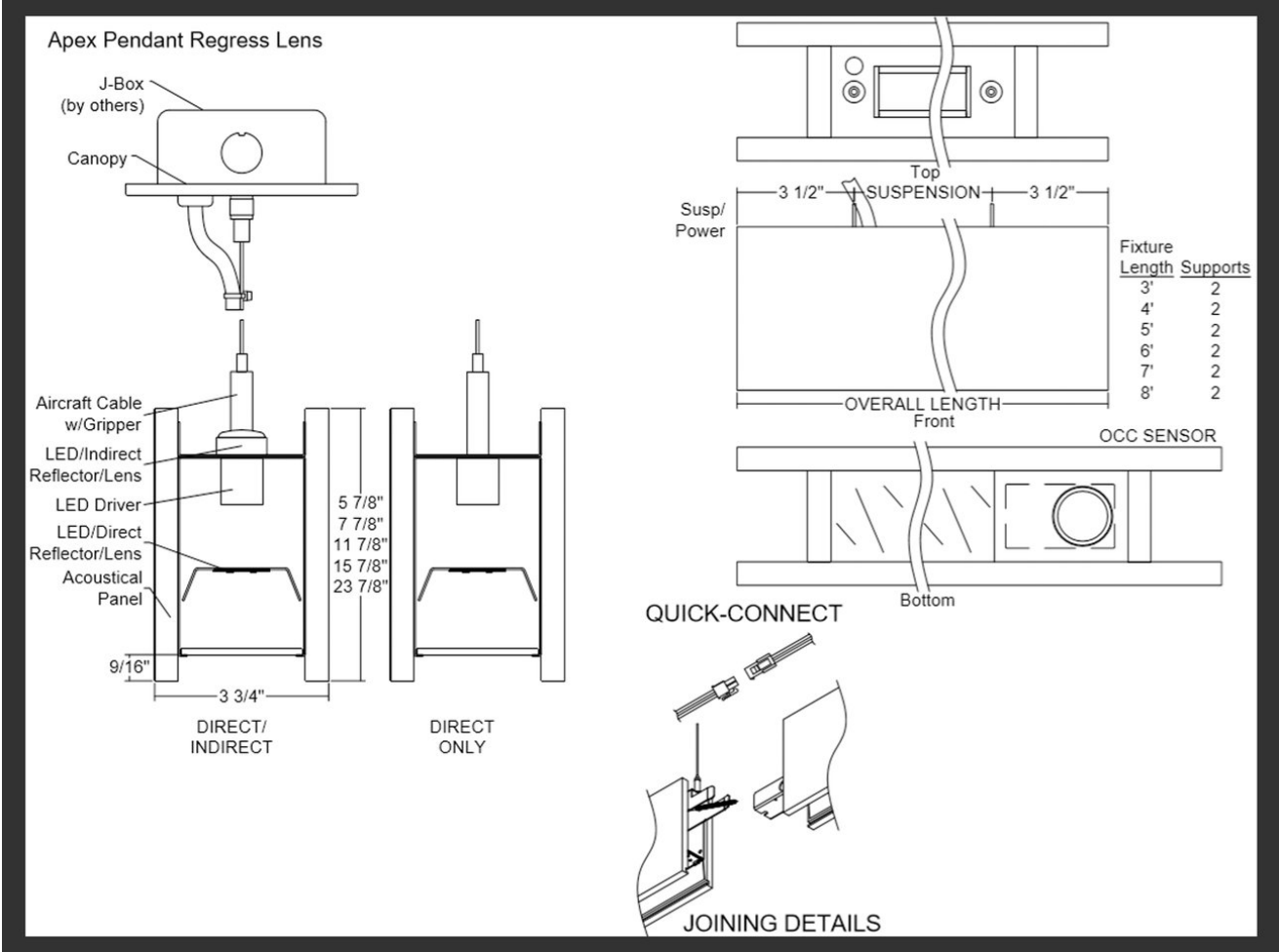


# Apex Regress Lens

PENDANT ACOUSTIC

TYPE

PROJECT



# Apex Regress Lens

PENDANT ACOUSTIC

TYPE  
PROJECT



BARK



CADET



CHAMBRAY



COBALT



ECRU



EUCALYPTUS



FOSSIL



FROST



GRASS



GREIGE



IRONBARK



IVORY



LINEN



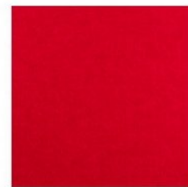
MALACHITE



MANDARIN



MERBAU



OCHRE



PEWTER



SKY



SLATE



SMOKE



SPOTTED GUM



SUNSHINE



TAR

## Electrical / Driver

- Drivers - Our drivers are specifically selected based on fixture application to ensure ultimate reliability and long life. We use only UL recognized brands of LED drivers. Our LED drivers feature HPF (high power factor), universal voltage 110 - 277 VAC and include 0-10V dimming. Please note, 277v has longer distances from power feed to power feed then 120v.
- If required, we can supply premium drivers such as Lutron, Eldoled and others upon request. Advanced control systems compliant drivers such as POE, DALI, DMX, etc. are also available, please consult factory.
- Rated life (90% survivorship) of 50,000 hours at 50° C max. ambient (and 70° C max. case) temperature. At maximum driver load: Efficiency >84%, PF>0.9, THD
- POE - We are working with Molex/Igor POE systems. We can add a POE driver into our fixtures or remote them. Based on the fixture you select, we will notify you (or you can contact the factory) to see if we can install the P-driver or the P-driver needs to be remote. Just add POE1 in the spec and we will advise. Please keep in mind you need to specify a complete POE control system before specifying POE1.
- Our LED drivers feature HPF (high power factor), universal voltage 110 - 277 VAC and include 0-10V dimming.
- Emergency drivers are factory installed as an option, long life, high temperature, recyclable Ni-Cad battery pack with test switch and charge indicator. EMR is minimum of 90 minutes operation to meet code.
- Whip - Six feet long, wiring RHOS/Reach Compliant, 18 gauge, 600v rated, Specify wired to the fixture as an OPTION.

## LED Performance

LED Output	CCT Color Temp	Watts	Lumens	Lumens per Watt	CCT Multiplier
Low	3000	4.28 WPF Direct (3.4WPF Indirect)	350 LPF	82	2700=.95
Medium	3000	6.25 WPF Direct (4.8 WPF Indirect)	500 LPF	81	3000=1
High	3000	9.38 WPF Direct ( 7.3 WPF Indirect)	750 LPF	80	3500=1.01
Very High	3000	12.63 WPF Direct ( 9.7 WPF Indirect)	1000 LPF	80	4000/1.03

- The table above is a quick reference. When calculating loads make sure you add direct and indirect LPW to get total wattage. Please refer to photometric report for detailed information.
- Our light engines are precisely designed for optimal operation of LED assemblies.
- Our standard LED's CCT (correlated color temperature) range is 2700K to 4000K. Other CCT values are available upon request.
- We log LED bin codes for each project we supply to ensure color consistency and keep a record of those projects for future reference.
- CRI offered is 80+, and 90+ Note: on 90+ CRI use .85 multiplier
- Tunable white, warm dim and other special LED colors available.
- Custom Lumens Available
- We design our own printed circuit boards to ensure high luminescence efficiency, low thermal resistance and long-term reliable operation.
- Light engines are easily replaced.
- We use only recognized brand LED's with 3 SDCM (standard deviation color matching) with high color consistency. 2 SDCM available upon request.
- If you require a special LED manufacturer, please contact us. LED chip manufacturers used by Picasso are primarily (but not limited to) Nichia, Cree and Samsung.
- LRP - "LED Reel Program" – LED's for printed circuit boards come on reels' like old 8mm projectors and they're sold in lots just like fabric. At Picasso Lighting, we have a program where we make sure all of your reels come from the same lot for each project. This ensures excellent color consistency in large open spaces.
- LED life is rated at 50,000 hours

## Certifications & Warranties

# Apex Regress Lens

## PENDANT ACOUSTIC

### TYPE

### PROJECT

- Limited five-year limited warranty on all products that are installed according to the product's specifications. Fixture must be properly installed by qualified licensed electricians, who meet and understand local installation requirements. Proper ambient conditions are to be met. The normal indoor temperatures of 50-90 degrees F, no more than 95% RH and sufficient air flow are required. Fixture should not be modified, and no maintenance or repairs should be performed without the written authorization from Picasso Lighting.
- We manufacture based on approved spec sheets and submittals signed by the customers. Change orders must be in writing and will delay delivery.
- Picasso Lighting reserves the right to repair or replace a defective product with another product with a similar design and the same or better performance, or to refund the distributor for the purchase price. The costs of labor to replace luminaires are not covered.
- Warranty does not cover damage caused by transportation, damage caused by using the fixture in an area it is not UL rated for, damage caused by negligence, lack of maintenance, attempts to repair by unqualified or unauthorized personnel, by using non-original accessories/parts, fixtures installed in systems without power surge protection.
- Picasso Lighting must receive in writing any complaints regarding the defective products, no later than 3 weeks from delivery addressed to: [ttoledo@picassoltg.com](mailto:ttoledo@picassoltg.com). Picasso Lighting will send a field technician to the site to evaluate the said defective product or may require product to be sent back to the factory for repair. The customer is responsible for the costs of disassembly and reassembly. We do accept field repairs and replacement labor from licensed electrical contractors but not without a written agreement signed by Picasso Lighting official. Failure to adhere to all warranty and certifications will void any recompense and the warranty.
- IBEW USA Union All fixtures are IBEW manufactured and assembled in the USA. UL listed for dry and damp locations.



Note: Picasso lighting industries, LLC reserves the right to make any design changes which will not affect the overall appearance or performance of the product. All ceilings to be adequately reinforced by others. All fixtures to be wired by licensed electrician only. The information contained herein is the sole property of Picasso Lighting Industries, LLC and may not be used without prior written consent of Picasso Lighting Industries, LLC. The 'USGBC member logo' is a trademark owned by the U.S. Green building council and is used by permission. The logo signifies only that Picasso Lighting Industries, LLC is a USGBC member; USGBC does not review, certify, or endorse the products or services offered by its members.