

# Claude 1.5 Indirect Up Lens

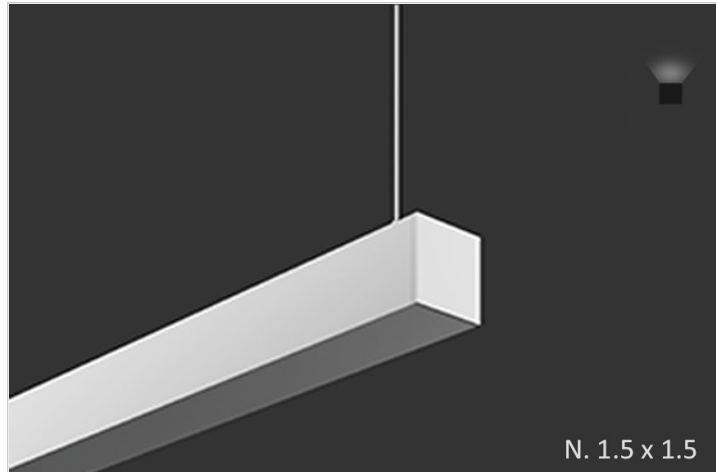
## PENDANT SMALL (REMOTE DRIVERS)

TYPE

PROJECT

### Overview

- Claude /KLAWD/ a male given name: from a French family name meaning “ lame”. Whoops, maybe not the best name for a fixture.
- The Claude is our Sienna 2.5 upside down, resulting in uplight only.
- DESIGNER SELECTIONS
- Claude Series has 2 profiles size, nominally: two inches by two inches and one and one-fourth of an inch by one and one-fourth of an inch.
- Claude Series has options of uplight only with flush lens.
- Claude Series has multiple choices for canopies and colors, scroll down for your choices.
- Claude Series is available in almost any CCT available in the market, we've selected the most popular, but don't let that stop you from asking for something different.
- Claude 1.5 is available in uplight only with remote drivers. We can also tune in our drivers to a specific lumen output if required.
- Claude Series is always available for your project's special customization needs, such as triangles, squares, rectangles, and others.
- Claude Series qualifies as "Made in America", "American Made" and is part of our ECO sustainable end of life program.
- For all: ies files, pictures, instructions, rfa files, and warranties...scroll to bottom.
- Please be advised that our Claude Series is available in a wall mount.



# Claude 1.5 Indirect Up Lens

PENDANT SMALL (REMOTE DRIVERS)

TYPE  
PROJECT

## Ordering Format

PART NUMBER: CLA1.5-PR

Size	Lumens Indirect	CCT Available	CRI Available	Indirect Optics
2 = 2 Feet	13 = 350 LPF	27 = 2700 Kelvins	80 = 80-85 CRI	ILW = Lambertian White Lens
4 = 4 Feet	15 = 500 LPF	30 = 3000 Kelvins	90 = 90-95 CRI	IBW120 = Batwing 120 Degree Beam
6 = 6 Feet	17 = 750 LPF	35 = 3500 Kelvins		IF150 = Flat 150 Degree Beam
8 = 8 Feet	110 = 1000 LPF	40 = 4000 Kelvins		IA6040 = Asymmetric 60 Degree Beam @40 Degree Tilt
CL = Custom Length, add in notes 6 inch increments		TW = Tunable White 2700-5000 Kelvins		IA4560 = Asymmetric 45 Degree Beam @60 Degree Tilt
Mounting	Driver / Voltage	Fixture Finish	Canopy/Power Cord Color	Options
LV1CR = Small Custom Rectangular Canopy / Driver Remote/Power Low Voltage	RND1 = Remote Non-Dim Universal 120VAC	W = Standard White	PC = Powered by Cable	AWN = Lutron Athena Wireless Node (RF only)
LV1R = Round 5in Canopy JBox - Driver Remote/Power Low Voltage	RND2 = Remote Non-Dim Universal 277VAC	BK = Standard Black	CWPW = Canopy White/Power Cord White	AWNS = Lutron Athena Wireless Node (with Sensor)
LV1S = Square 5in Canopy JBox - Driver Remote/Power Low Voltage	RZT1 = Remote 0-10v dimming 120v dual 1%	SVR = Standard Silver	CWPB = Canopy White/Power Cord Black	CA = Custom Angle - Add in notes
LVRR = Driver Remote Round 5in Canopy JBox - 2in Support 1/4 Rod	RZT2 = Remote 0-10v dimming 277v dual 1%	RAL = Enter RAL # in notes section	CBPB = Canopy Black/Power Cord Black	OS = Occupancy Sensor
LVRS = Driver Remote Square 5in Canopy JBox - 2in Support 1/4 Rod	RLE1 = Remote Lutron EcoSystem 1% DLC EE CCR / PWM SoftOnFadeToBlack	PA = Plated Aluminum-enter plated finish in notes	CBPW = Canopy Black/Power Cord White	REMD = Remote Emergency Driver - Battery Backup 120-277VAC
LVD1R = Driver Remote Round 5in Canopy JBox - 2in Support Slot Grid	RCC = Remote Custom Control - add in notes	CW = Standard Wood Finish - see wood PN # enter in notes.		
LVD1S = Driver Remote Square 5in Canopy JBox - 2in Support Slot Grid		SW = Special pattern submitted by designer		
LVD2R = Driver Remote Round 5in Canopy JBox - 2in Support T Grid		AA = Anodized Aluminum -enter PN in notes section		
LVD2S = Driver Remote Square 5in Canopy JBox - 2in Support T Grid				
LVUR = Driver Remote Round 5in Canopy JBox - .5in Support Unistrut				
LVUS = Driver Remote Square 5in Canopy JBox - .5in Support Unistrut				

# Claude 1.5 Indirect Up Lens

PENDANT SMALL (REMOTE DRIVERS)

TYPE

PROJECT

NOTES

ORDER NUMBER:

# Claude 1.5 Indirect Up Lens

## PENDANT SMALL (REMOTE DRIVERS)

TYPE

PROJECT

### Construction & Mounting

#### HOUSING

Extruded aluminum housings are supplied in nominal lengths of 4 ft., 6 ft., and 8 ft.. Fixtures may be continuously rowed (contact factory for details). Internal components are constructed from min. 20 gauge die-formed steel. Easy access to driver and LED boards. End caps are extruded aluminum. Custom sizes are available.

#### REFLECTOR

Integral powder-coated LED housing with excessive reflectivity for increased lumen output

#### FINISH

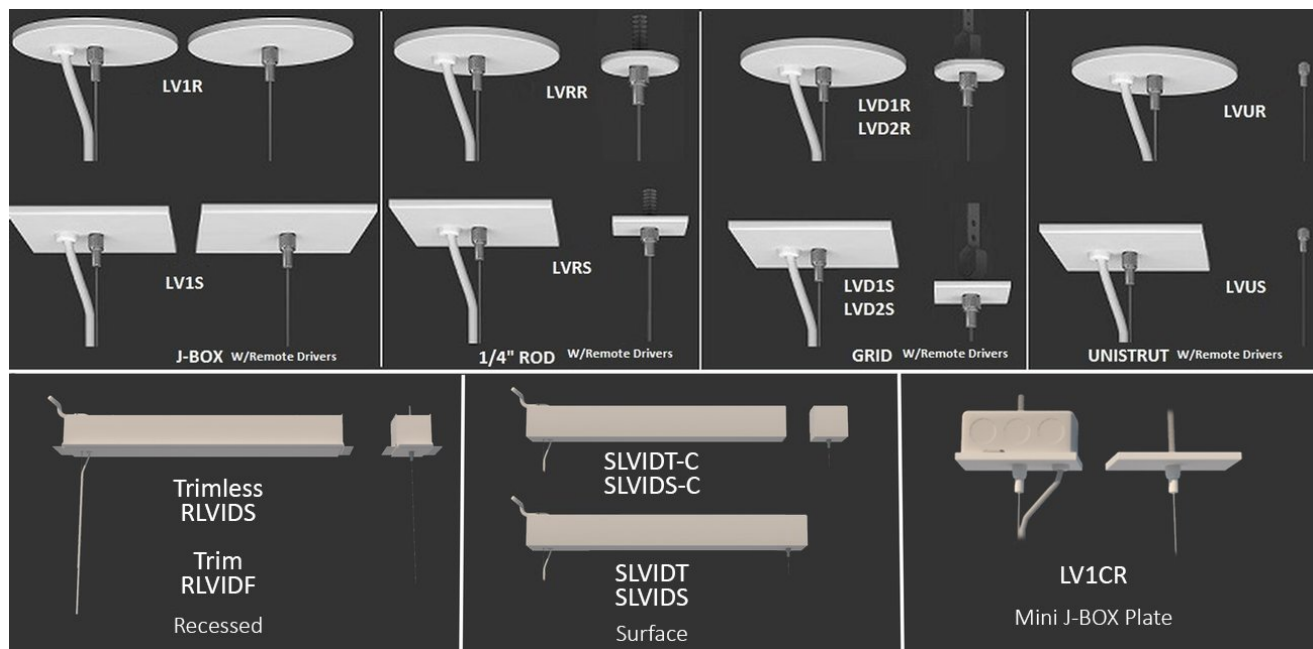
Standard powder-coated colors are white, black and silver. Custom processed wood finishes, aluminum anodized finishes, chrome/gold plating and custom finishes are available as well. We also accept RAL and Pantone numbers for powder-coating color choices.

#### OPTICS

Extruded frosted acrylic snap-in lens formulated for LED light sources.

#### MOUNTING

Cable mounting supports and powers the Claude 1.5 because it's too small to fit a driver. Can also be powered via low gauge 2 wire with cable grippers. Various size canopies and different power supplies are available. The cable uses gripper-style locking for field adjustments. Canopy mounts to standard J-box and the standard cable lengths are 4 feet.

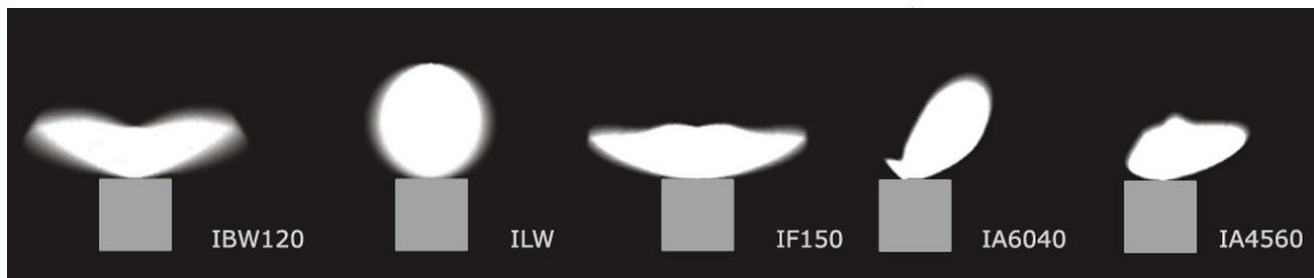
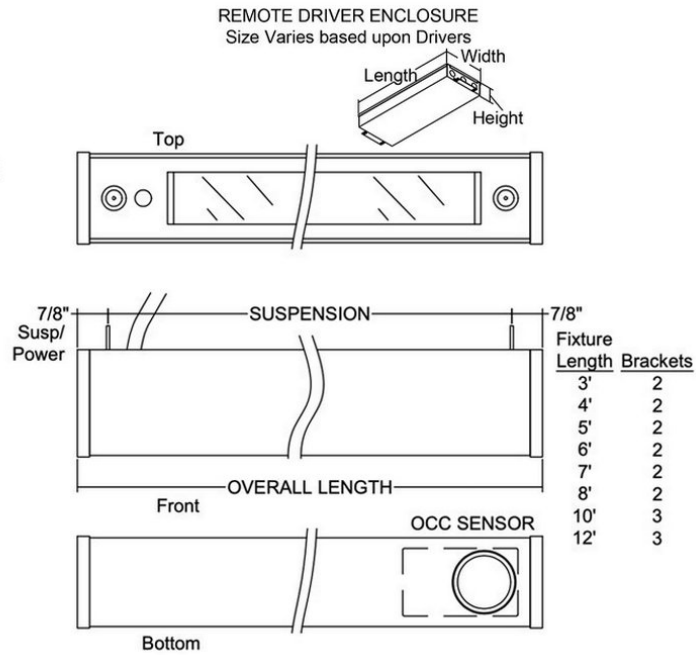
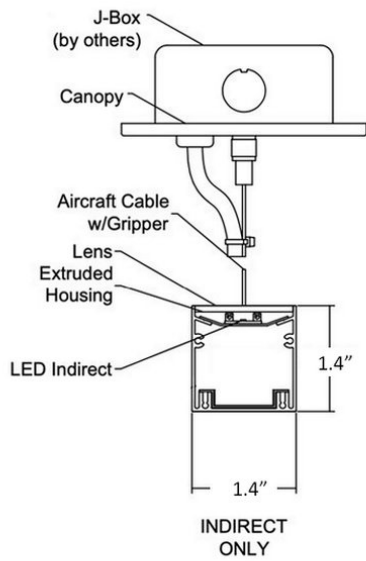


# Claude 1.5 Indirect Up Lens

PENDANT SMALL (REMOTE DRIVERS)

TYPE  
PROJECT

## Claude 1.5 Pendant Indirect




# Claude 1.5 Indirect Up Lens

## PENDANT SMALL (REMOTE DRIVERS)

TYPE

PROJECT


### Standard Finishes



White W      Black B      Silver SVR


### Anodized Aluminum - Premium Finishes

xxxx-B for Aluminum to be Brushed



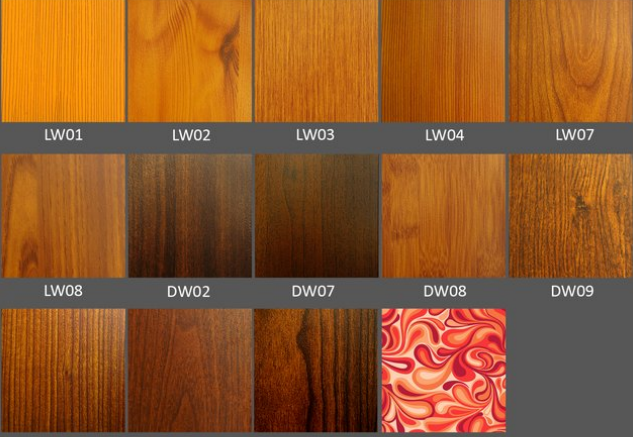
Anodized Black AABK    Anodized DK. Bronze AADB    Anodized LT. Bronze AALB    Anodized Champagne AALC    Anodized Clear AACL

### Plated Aluminum - Premium Finishes



Antique Brass PAAB    Polished Chrome PAPC    Polished Gold PAPG

### Wood - Premium Finishes




LW01    LW02    LW03    LW04    LW07

LW08    DW02    DW07    DW08    DW09

DW10    DW11    DW12    Consult Factory

**Custom RAL** - Custom finishes go to: [tiger-coatings.com](http://tiger-coatings.com) **Add 8 to Notes**



Standard Finishes - colors are powder coated and do not add to delivery lead time.

Anodized Aluminum - can be smooth or brushed, color can vary fixture to fixture and adds 4-5 weeks to lead time. Anodized finish is limited in fixture size.

Plated Aluminum - is a mirror finish in chrome and gold and adds 4-5 weeks to lead time.

Woods Finishes - so realistic, wood finish can add up to 4-5 weeks to lead time.

# Claude 1.5 Indirect Up Lens

## PENDANT SMALL (REMOTE DRIVERS)

TYPE

PROJECT

### Electrical / Driver

- Drivers - Our drivers are specifically selected based on fixture application to ensure ultimate reliability and long life. We use only UL recognized brands of LED drivers. Our LED drivers feature HPF (high power factor), universal voltage 110 - 277 VAC and include 0-10V dimming. Please note, 277v has longer distances from power feed to power feed then 120v.
- If required, we can supply premium drivers such as Lutron, Eldoled and others upon request. Advanced control systems compliant drivers such as POE, DALI, DMX, etc. are also available, please consult factory.
- Rated life (90% survivorship) of 50,000 hours at 50° C max. ambient (and 70° C max. case) temperature. At maximum driver load: Efficiency >84%, PF>0.9, THD
- Our LED drivers feature HPF (high power factor), universal voltage 110 - 277 VAC and include 0-10V dimming.
- Remote emergency drivers are an option, long life, high temperature, recyclable Ni-Cad battery pack with test switch and charge indicator. EMR is a minimum of 90 minutes operation to meet code.
- POE - We are working with Molex/Igor POE systems. We can add a POE driver into our fixtures or remote them. Based on the fixture you select, we will notify you (or you can contact the factory) to see if we can install the P-driver or the P-driver needs to be remote. Just add POE1 in the spec and we will advise. Please keep in mind you need to specify a complete POE control system before specifying POE1.

### LED Performance

LED Output	CCT Color Temp	Watts	Lumens	Lumens per Watt	CCT Multiplier
Low	3500k	2.1 WPF	350 LPF	170 LPW	2700 = .95
Medium	3500k	3WPF	500 LPF	168 LPW	3000=1 / 3500=1.01/4000/1.03
High	3500k	4.6 WPF	750 LPF	164 LPW	*
Very High	3500k	6.3 WPF	1000 LPF	159 LPW	*

- The table above is a quick reference. When calculating loads make sure you add direct and indirect LPW to get total wattage. Please refer to photometric report for detailed information.
- Our light engines are precisely designed for optimal operation of LED assemblies.
- Our standard LED's CCT (correlated color temperature) range is 2700K to 4000K. Other CCT values are available upon request.
- We log LED bin codes for each project we supply to ensure color consistency and keep a record of those projects for future reference.
- CRI offered is 80+, and 90+ Note: on 90+ CRI use .85 multiplier
- Tunable white, warm dim and other special LED colors available.
- Custom Lumens Available
- We design our own printed circuit boards to ensure high luminescence efficiency, low thermal resistance and long-term reliable operation.
- Light engines are easily replaced.
- We use only recognized brand LED's with 3 SDCM (standard deviation color matching) with high color consistency. 2 SDCM available upon request.
- If you require a special LED manufacturer, please contact us. LED chip manufacturers used by Picasso are primarily (but not limited to) Nichia, Cree and Samsung.
- LRP - "LED Reel Program" – LED's for printed circuit boards come on reels' like old 8mm projectors and they're sold in lots just like fabric. At Picasso Lighting, we have a program where we make sure all of your reels come from the same lot for each project. This ensures excellent color consistency in large open spaces.
- LED life is rated at 50,000 hours

### Certifications & Warranties

- Limited five-year limited warranty on all products that are installed according to the product's specifications. Fixture must be properly installed by qualified licensed electricians, who meet and understand local installation requirements. Proper ambient conditions are to be met. The normal indoor temperatures of 50-90 degrees F, no more than 95% RH and sufficient air flow are required. Fixture should not be modified, and no maintenance or repairs should be performed without the written authorization from Picasso Lighting.
- We manufacture based on approved spec sheets and submittals signed by the customers. Change orders must be in writing and will delay delivery.
- Picasso Lighting reserves the right to repair or replace a defective product with another product with a similar design and the same or better performance, or to refund the distributor for the purchase price. The costs of labor to replace luminaires are not covered.
- Warranty does not cover damage caused by transportation, damage caused by using the fixture in an area it is not UL rated for, damage caused by negligence, lack of maintenance, attempts to repair by unqualified or unauthorized personnel, by using non-original accessories/parts, fixtures installed in systems without power surge protection.
- Picasso Lighting must receive in writing any complaints regarding the defective products, no later than 3 weeks from delivery addressed to: [ttoledo@picassoltg.com](mailto:ttoledo@picassoltg.com). Picasso Lighting will send a field technician to the site to evaluate the said defective product or may require product to be sent back to the factory for repair. The customer is responsible for the costs of disassembly and reassembly. We do accept field repairs and replacement labor from licensed electrical contractors but not without a written agreement signed by Picasso Lighting official. Failure to adhere to all warranty and certifications will void any recompense and the warranty.
- IBEW USA Union All fixtures are IBEW manufactured

# Claude 1.5 Indirect Up Lens

PENDANT SMALL (REMOTE DRIVERS)

TYPE

PROJECT

and assembled in the USA. UL listed for dry and damp locations.



Note: Picasso lighting industries, LLC reserves the right to make any design changes which will not affect the overall appearance or performance of the product. All ceilings to be adequately reinforced by others. All fixtures to be wired by licensed electrician only. The information contained herein is the sole property of Picasso Lighting Industries, LLC and may not be used without prior written consent of Picasso Lighting Industries, LLC. The 'USGBC member logo' is a trademark owned by the U.S. Green building council and is used by permission. The logo signifies only that Picasso Lighting Industries, LLC is a USGBC member; USGBC does not review, certify, or endorse the products or services offered by its members.