

FRAME OUT™, STEM

INSTALLATION PROCEDURE, INDIVIDUAL UNITS



DO NOT DISCARD

PLEASE READ CAREFULLY BEFORE BEGINNING INSTALLATION.

Fixtures must be installed by licensed electricians in accordance with all local and national codes.

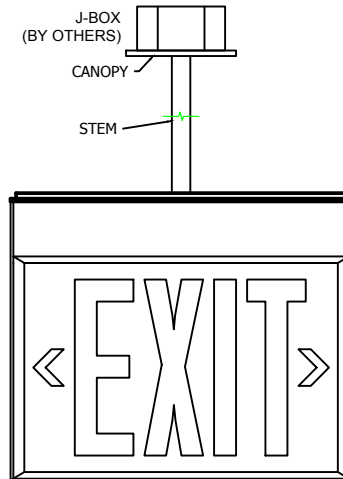
To prevent electrical shock, disconnect electrical supply before installing or servicing.

Before Beginning Installation, Locate The Following Components. Gather Required Tools.

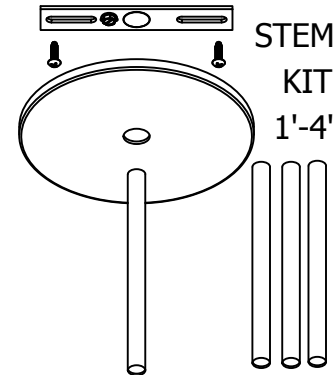
IMPORTANT SAFEGUARDS: When using electrical equipment, always adhere to basic safety precautions including the following: The battery in this unit may not be fully charged. After electricity is connected to unit, let battery charge for at least 48 hours, then normal operation of this unit should take effect.

READ AND FOLLOW ALL SAFETY INSTRUCTIONS

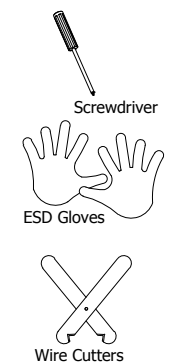
1. Do not use outdoors.
2. Equipment should be mounted securely in locations and at heights where it will not be readily subjected to tampering by unauthorized personnel.
3. Do not mount near gas or electric heaters.
4. Do not use this equipment for anything other than its intended use.
5. The use of accessory equipment not recommended by the manufacturer will void product listing and warranty and may cause an unsafe condition.
6. Disconnect AC power before servicing and installation.
7. Use caution when servicing batteries.
8. Any service on this equipment should be performed by qualified personnel only.
9. Cap unused wires with enclosed wire nuts or other approved method.
10. Make sure wire terminations are secure and leads are properly tucked in appropriate wireways.



Service Hotline: (201) 246-8188
Monday through Friday 9:00AM - 5:00PM



Tools Required (Not Provided)



To Begin Installation:

POWER OFF

Installation Instructions

1. Install J-box (by others) and support to structure
2. Secure Cross Bar to Junction Box.
3. Screw Stem Sections together for 1', 2', 3' or 4' Lengths, Secure Stem to Cross bar and slide Canopy and Retainer on stem
4. Open the front housing cover of Exit Sign
5. Feed the AC input leads (red, black, white) through the Stem into the Junction Box.
6. Secure Bottom of Stem to Housing Bracket and secure with washer and locknut (provided). Re-Install Front Housing Cover.
7. Connect AC input leads to AC power supply leads. Connect the red lead to a 277VAC Power Supply or the black lead to a 120VAC Power Supply, (Cap the UNUSED red or black lead) and the white lead to neutral.
8. Slide Canopy up to J-Box and Secure with Retainer.
9. Chevron directional indicators are preassembled. Peel off Chevron as required based upon installed location.
10. Turn on Power, Allow 48 Hour Continuous Operation for Battery to Charge.

Wiring Diagram

