

Anello Recessed

RECESSED CURVES/RINGS

TYPE

PROJECT

Overview

- anello /a-nèl-lo/ sostantivo maschile 1.Cerchietto d'oro o d'argento o d'altro metallo. Translation: Circle or ring of gold or silver or other metal.
- Anello Series ultimately showcases and accentuates certain design elements to foster, establish or emphasize a designers need to enhance a building's aesthetic, history and purpose by lighting a space with Anello! It is the intersection of art (architecture), design and technology.
- DESIGNER SELECTIONS
- Anello Series has 2 profile sizes. Anello 2.5 and Anello Canopy is a two and one half inch width and height of three and three quarter inches (lower LPF). Anello 3 is three inches in width and three and three quarters of an inch in height (higher LPF).
- Anello Series can be pendant mounted, surface mounted and recessed. Glance under appropriate categories IE; surface, recessed, pendent.
- Anello Series sizes are variable with Anello 2 and Anello 3, largest to date is 27 feet. Anello Canopy is limited to 5 feet diameter because of weight.
- Anello Series has multiple choices for canopies and colors, just scroll down for your choices.
- Anello Series is available in almost any CCT available in the market, we've selected the most popular , but don't let that stop you from asking for something different.
- Anello Series qualifies as "Made in America" and is part of our ECO sustainable end of life program.
- For all: ies files, pictures, instructions, rfa files, and warranties...scroll to bottom. Note; ies file must added in one foot increments.
- Please be advised that our Anello Series is available in Recessed, Surface and Pendant.



Anello Recessed

RECESSED CURVES/RINGS

TYPE
PROJECT

Ordering Format

PART NUMBER: ANL-RR

Size	Lumens Direct	CCT Available	CRI Available	Direct Optics
3 = 3 Feet	D3 = 350 Lumens	27 = 2700 Kelvins	80 = 80-85 CRI	OW = Opal White
4 = 4 Feet	D5 = 500 Lumens	30 = 3000 Kelvins	90 = 290-95 CRI	
5 = 5 Feet	D7 = 750 Lumens	35 = 3500 Kelvins		
6 = 6 Feet	D10 = 1000 Lumens	40 = 4000 Kelvins		
CL = Custom Size, add in notes CLO = Custom Oval Shape, add Size in notes.		TW = Tunable White 2700-5000 Kelvins		
Mounting	Driver / Voltage	Fixture Finish	Options	
RR = Recessed threaded rod.	RND 1 = Remote Non-Dim Universal 120VAC RND 2 = Remote Non-Dim Universal 277VAC RZT 1 = Remote 0-10v dimming 120v dual 1% RZT 2 = Remote 0-10v dimming 277v dual 1% RLE1 = Remote Lutron EcoSystem 1% DLC EE CCR / PWM SoftOnFadeToBlack RCC = Remote Custom Control - add in notes	W = Standard White	AWN = Lutron Athena Wireless Node (RF only) AWNS = Lutron Athena Wireless Node (with Sensor) IW = Inverter Wiring OS = Occupancy Sensor EMDR = Remote Emergency Driver - Battery Backup 120-277VAC	

NOTES

ORDER NUMBER:

Anello Recessed

RECESSED CURVES/RINGS

TYPE

PROJECT

Construction & Mounting

HOUSING

Extruded aluminum rings are supplied in our standard nominal sizes of 3 ft., 4 ft., 5 ft., and 6 ft.. Custom sizes are also available. Each ring can be shipped containing from 2-4 sections that are locked together with ring clamps for perfect joint connection. Easy access to driver and LED boards.

REFLECTOR

Integral powder-coated LED housing with excessive reflectivity for increased lumen output

FINISH

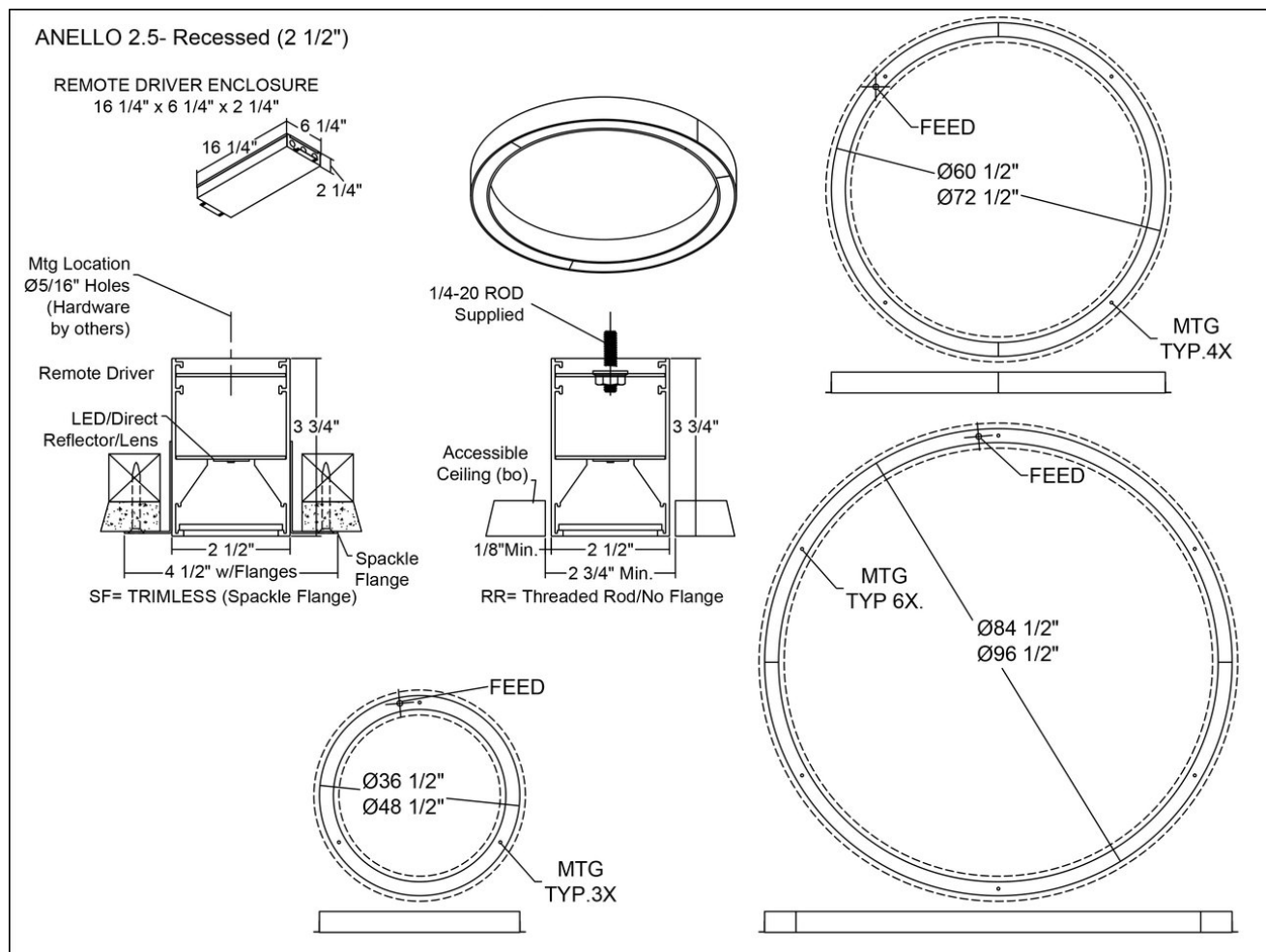
Standard powder-coated colors are white, black and silver. Custom processed wood finishes, aluminum anodized finishes, chrome/gold plating and custom finishes are available as well. We also accept RAL and Pantone numbers for powder-coating color choices.

OPTICS

Slightly regressed, lay-in acrylic lens formulated for LED light sources. Lift and shift lens.

MOUNTING

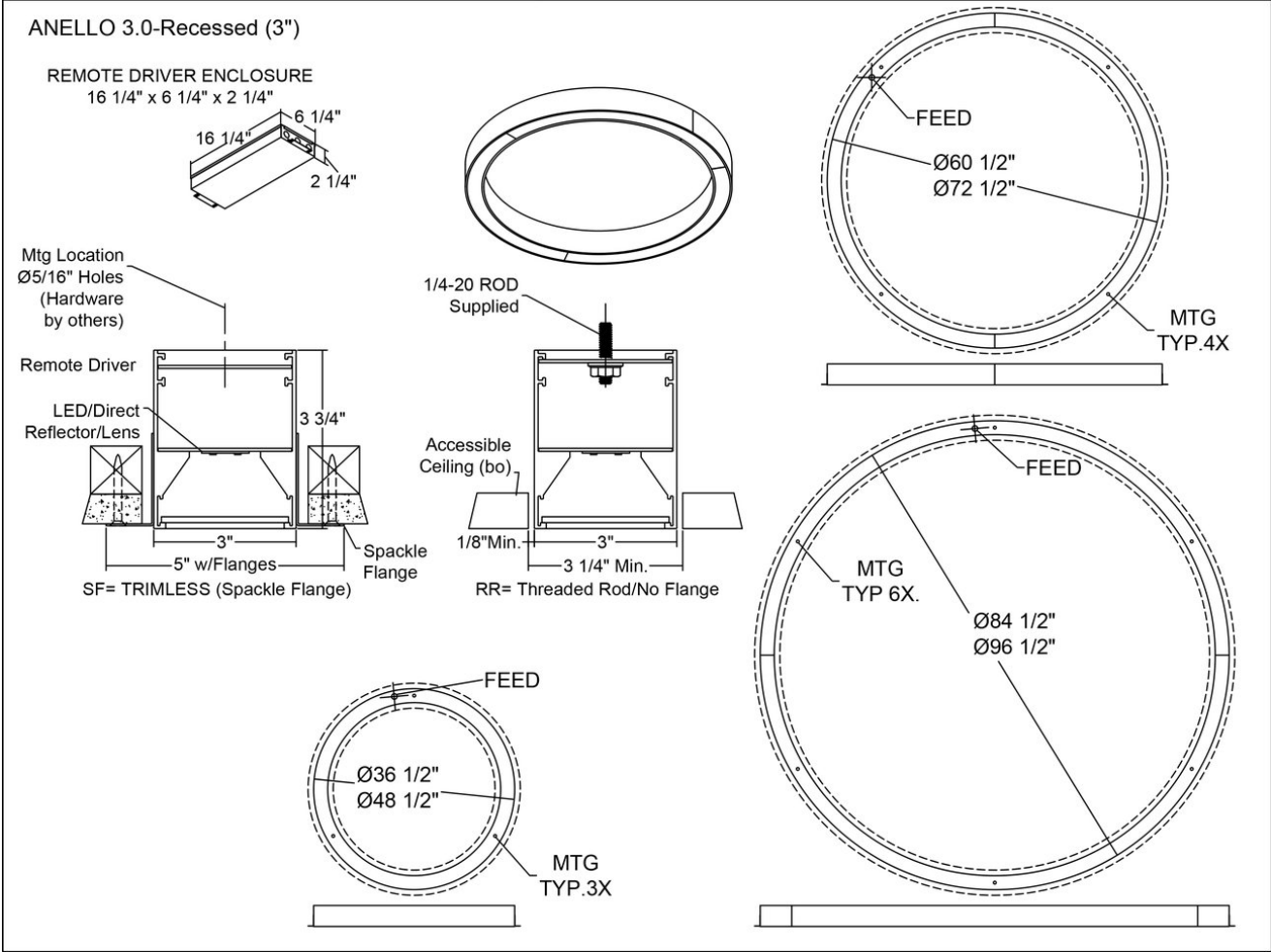
3/8 holes equally spaced to receive 1/4 20 threaded rods.



Anello Recessed

RECESSED CURVES/RINGS

TYPE
PROJECT



Electrical / Driver

- Remote Drivers - Our drivers are specifically selected based on fixture application to ensure ultimate reliability and long life. We use only UL recognized brands of LED drivers. Our LED drivers feature HPF (high power factor), universal voltage 110 - 277 VAC and include 0-10V dimming. Please note, 277v has longer distances from power feed to power feed then 120v.
- If required, we can supply premium drivers such as Lutron, Eldoled and others upon request. Advanced control systems compliant drivers such as POE, DALI, DMX, etc. are also available, please consult factory.
- Rated life (90% survivorship) of 50,000 hours at 50° C max. ambient (and 70° C max. case) temperature. At maximum driver load: Efficiency >84%, PF>0.9, THD
- Our LED drivers feature HPF (high power factor), universal voltage 110 - 277 VAC and include 0-10V dimming.
- Remote Emergency drivers are factory installed as an option, long life, high temperature, recyclable Ni-Cad battery pack with test switch and charge indicator. EMR is minimum of 90 minutes operation to meet code.
- POE - We are working with Molex/Igor POE systems. We can add a POE driver into our fixtures or remote them. Based on the fixture you select, we will notify you (or you can contact the factory) to see if we can install the P-driver or the P-driver needs to be remote. Just add POE1 in the spec and we will advise. Please keep in mind you need to specify a complete POE control system before specifying POE1.

LED Performance

LED Output	CCT Color Temp	Watts	Lumens	Lumens per Watt	CCT Multiplier
Low	3000	4.3 WPF Direct	350 LPF	TBD	2700 = .95
Medium	3000	6.02 WPF Direct	500 LPF	82	3000 = 1
High	3000	9 WPF Direct	750 LPF	TBD	3500 = 1.01
Very High	3000	12.7 WPF Direct	1000 LPF fixture size width becomes 3	79	4000= 1.03

- The table above is a quick reference. When calculating loads make sure you add direct and indirect LPW to get total wattage. Please refer to photometric report for detailed information.
- Our light engines are precisely designed for optimal operation of LED assemblies.
- Our standard LED's CCT (correlated color temperature) range is 2700K to 4000K. Other CCT values are available upon request.
- We log LED bin codes for each project we supply to ensure color consistency and keep a record of those projects for future reference.
- CRI offered is 80+, and 90+ Note: on 90+ CRI use .85 multiplier
- Tunable white, warm dim and other special LED colors available.
- Custom Lumens Available
- We design our own printed circuit boards to ensure high luminescence efficiency, low thermal resistance and long-term reliable operation.
- Light engines are easily replaced.
- We use only recognized brand LED's with 3 SDCM (standard deviation color matching) with high color consistency. 2 SDCM available upon request.
- If you require a special LED manufacturer, please contact us. LED chip manufacturers used by Picasso are primarily (but not limited to) Nichia, Cree and Samsung.
- LRP - "LED Reel Program" – LED's for printed circuit boards come on reels' like old 8mm projectors and they're sold in lots just like fabric. At Picasso Lighting, we have a program where we make sure all of your reels come from the same lot for each project. This ensures excellent color consistency in large open spaces.
- LED life is rated at 50,000 hours

Certifications & Warranties

- Limited five-year limited warranty on all products that are installed according to the product's specifications. Fixture must be properly installed by qualified licensed electricians, who meet and understand local installation requirements. Proper ambient conditions are to be met. The normal indoor temperatures of 50-90 degrees F, no more than 95% RH and sufficient air flow are required. Fixture should not be modified, and no maintenance or repairs should be performed without the written authorization from Picasso Lighting.
- We manufacture based on approved spec sheets and submittals signed by the customers. Change orders must be in writing and will delay delivery.
- Picasso Lighting reserves the right to repair or replace a defective product with another product with a similar design and the same or better performance, or to refund the distributor for the purchase price. The costs of labor to replace luminaires are not covered.
- Warranty does not cover damage caused by transportation, damage caused by using the fixture in an area it is not UL rated for, damage caused by negligence, lack of maintenance, attempts to repair by unqualified or unauthorized personnel, by using non-original accessories/parts, fixtures installed in systems without power surge protection.
- Picasso Lighting must receive in writing any complaints regarding the defective products, no later than 3 weeks from delivery addressed to: ttoledo@picassoltg.com. Picasso Lighting will send a field technician to the site to evaluate the said defective product or may require product to be sent back to the factory for repair. The customer is responsible for the costs of disassembly and reassembly. We do accept field repairs and replacement labor from licensed electrical contractors but not without a written agreement signed by Picasso Lighting official. Failure to adhere to all warranty and certifications will void any recompense and the warranty.
- IBEW USA Union All fixtures are IBEW manufactured

Anello Recessed

RECESSED CURVES/RINGS

TYPE

PROJECT

and assembled in the USA. UL listed for dry and damp locations.



Note: Picasso lighting industries, LLC reserves the right to make any design changes which will not affect the overall appearance or performance of the product. All ceilings to be adequately reinforced by others. All fixtures to be wired by licensed electrician only. The information contained herein is the sole property of Picasso Lighting Industries, LLC and may not be used without prior written consent of Picasso Lighting Industries, LLC. The 'USGBC member logo' is a trademark owned by the U.S. Green building council and is used by permission. The logo signifies only that Picasso Lighting Industries, LLC is a USGBC member; USGBC does not review, certify, or endorse the products or services offered by its members.