

Overview

- Five applications in one package, recessed, flag mount, ceiling mount, wall mount with options of 1 face (clear) or 2 face (mylar) installations. All included in one box.
- Stem mounted, not included in the package, must spec under stem options. Stem kit comes with four one foot stems, you can use one, two, three, or all four.
- UL 924 listed, NEC, OSHA, and NFPA 101 Life Safety Code requirements.
- Listed for damp location
- Sloped ceiling adjustability
- Field Installable arrows for left, right or both directions.
- Test switch, and charge rate indicator to insure long-lasting illumination without line voltage power.
- When creating a spec sheet please take note that all 5 mounting options come in 1 box.
- We've added a create your own spec for submittal record purposes. NYC 8" approved.
- Dual Voltage 120v/277AC
- NYC 8" approved.



Five Series

EDGE-LIT EXIT SIGN

TYPE
PROJECT

Ordering Format

PART NUMBER: FIV

Letter Size	Frame Finish	Letter Color	Mounting	Exit Face
8 = 8 inch	SG = aluminum body with grey end caps	R = red	AL = all brackets included for, recessed, wall, ceiling	SD = single (clear) and double face (mylar) acrylic signs included
Arrows	Canopy Color	Voltage	Stem Mount Options	
M = 4 red arrows included	AL = grey canopy to match endcaps	3 = dual 120/277 volt operation	SMR-B = stem / round canopy black adjustable 1'-4' on site SMR-W = stem / round canopy white adjustable 1'-4' on site SMS-B = stem / square canopy black adjustable 1'-4' on site SMS-W = stem / square canopy white adjustable 1'-4' on site NN = not needed CL = Custom Length in Notes	

NOTES

ORDER NUMBER:

Five Series

EDGE-LIT EXIT SIGN

TYPE

PROJECT

Construction & Mounting

HOUSING

Housing is constructed of aluminum with injection-molded acrylic end caps. Recessed housing comes with hanger bars.

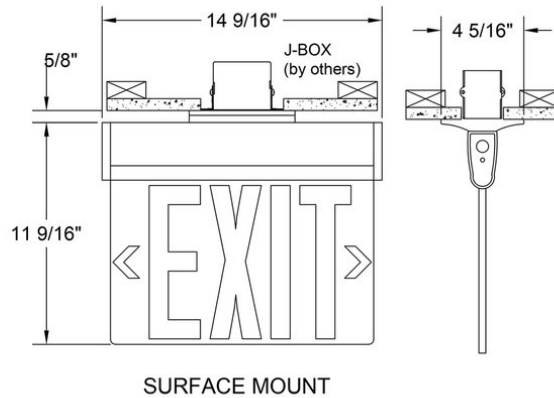
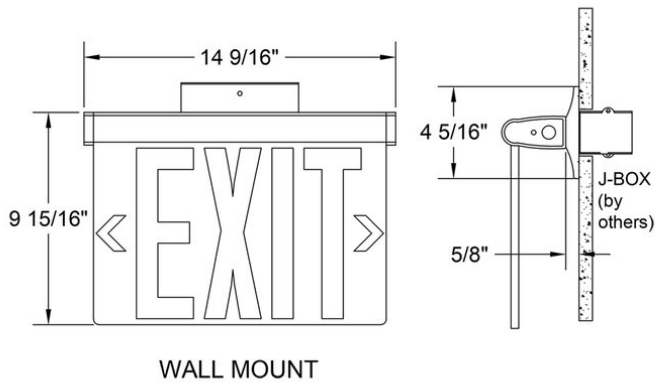
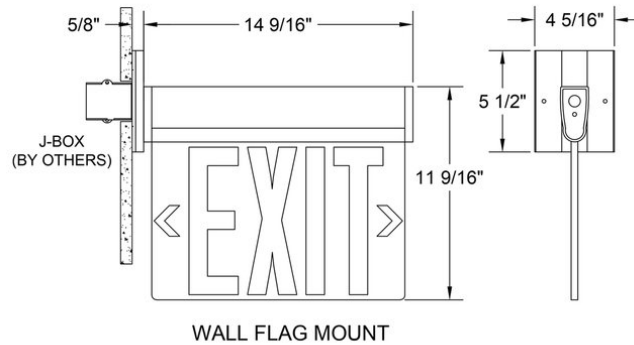
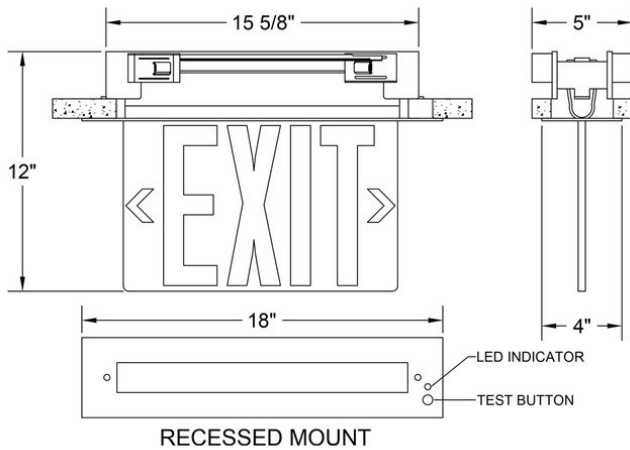
The front cover is removable for easy installation.

MOUNTING

The "Five Series" is an all in one package product. Five different installations in all, recessed, flat wall, flag, ceiling and options of one or two face direction in one box.

OPTICS

The Five Series incorporates a strip of long-lasting LEDs at the bottom of the housing to illuminate the sign evenly. LEDs are red to enhance the red exit and direction arrows.



Five Series

EDGE-LIT EXIT SIGN

TYPE

PROJECT

Electrical / Driver

- Drivers - Our drivers are specifically selected based on fixture applications to ensure ultimate reliability and long life. We use only UL recognized brands of LED drivers. Our LED drivers feature HPF (high power factor), universal voltage 110 - 277 VAC.
- UL 924 approved under emergency lighting and power equipment.
- EMR is a minimum of 90 minutes operation to meet code.
- Replace the battery with MYD battery PN AAA300, rated 300mah,4.8v.
- Our LED drivers feature HPF (high power factor), universal voltage 110 - 277 VAC.
- The emergency battery is a recyclable Ni-Cad battery at 4.8V @ 300ma.
- Test switch and charge indicator.
- Suitable for damp location. Use in 10 celsius (min) to 40 celsius (max) ambient temperature.

LED Performance

LED Output	CCT Color Temp	Watts	Lumens	Lumens per Watt	CCT Multiplier
Soft	Red	3.72 TW 120VAC	NA	NA	NA
Soft	Red	3.87 TW 277VAC	NA	NA	NA

- The table above is a quick reference.
- Our light engines are precisely designed for optimal operation of LED assemblies.
- Relamp LEDs with only SEL-800R-LED lamp assembly.
- Circuit boards designed to ensure high luminescence efficiency, low thermal resistance, and long-term reliable operation.
- LED light engines are easily replaced.

Certifications & Warranties

- Limited five-year (50,000 hours) warranty on all products. Limited ten-year (100,000 hours) warranty on all Lutron drivers.
- DLC listed products will have DLC Logo.
- Chicago Plenum and IC products are available upon request.
- Warranty does not cover damage caused by transport, damage caused by using the fixture in an area it is not UL rated for, damage caused by negligence, lack of maintenance, attempts to repair by unqualified or unauthorized personnel, by using non-original accessories/parts, fixtures installed in systems without power surge protection.
- UL and CUL listed for dry and damp locations.
- IBEW USA Union All fixtures are IBEW manufactured and assembled in the USA.
- We manufacture based on approved spec sheets and submittals signed by professionals responsible. Change orders must be in writing and will delay delivery.
- Picasso Lighting must receive in writing any thought to be defective products discovered, no later than 4 weeks from delivery to; ttoledo@picassoltg.com. Picasso Lighting will send a field technician to the site to evaluate the said defective product. We do accept field repair from licensed electrical contractors but not without a written agreement signed by Picasso Lighting official. Failure to adhere to all warranty and certifications will void any recompense and the warranty.



Note: Picasso lighting industries, LLC reserves the right to make any design changes which will not affect the overall appearance or performance of the product. All ceilings to be adequately reinforced by others. All fixtures to be wired by licensed electrician only. The information contained herein is the sole property of Picasso Lighting Industries, LLC and may not be used without prior written consent of Picasso Lighting Industries, LLC. The 'USGBC member logo' is a trademark owned by the U.S. Green building council and is used by permission. The logo signifies only that Picasso Lighting Industries, LLC is a USGBC member; USGBC does not review, certify, or endorse the products or services offered by its members.