

Overview

- Gamma Rays/gama raz/ noun: penetrating electromagnetic radiation of a kind arising from the radioactive decay of atomic nuclei.
- Originally a custom product, now in our product line.
- DESIGNER SELECTIONS
- The Gamma is available in direct light only
- Multiple choices for canopies and colors, just scroll down for your choices. Custom canopies are optional as well.
- Please note our Gamma is a medium base socket fixture.
- The Gamma is always available for your projects special customization needs, just contact your local agent
- The Gamma qualifies as "Made in America" and "American Made", and it is also part of our ECO sustainable end of life program.
- For all: ies files, pictures, instructions, rfa files, and warranties...scroll to bottom.
- The Gamma is available in Pendant only.



Gamma

DECORATIVE PENDANTS

TYPE
PROJECT

Ordering Format

PART NUMBER: GAM-PF

Size	Driver / Voltage	Canopy/Power Cord Color	Cap Finishes
18 = 18 inches height CS = Custom Size	120v = 120v to be connected to J-box and canopy	CW1s = Canopy White/ 12in stem CW1c = Canopy White/ 12in cord CW2s = Canopy White/ 24in stem CW2c = Canopy White/ 24in cord CB1c = Canopy Black/ 12in cord CB1s = Canopy Black/ 12in stem CB2c = Canopy Black/ 24in cord CB2s = Canopy Black/ 24in stem CC = Custom Finish and special Cord (add in notes)	W = White Standard BK = Black Standard SVR = Silver Standard RAL = Enter RAL # in notes section RAL = Enter RAL # in notes section PA = Plated Aluminum-enter plated finish in notes PA = Plated Aluminum-enter plated finish in notes CW = Custom Wood Finish - see wood PN # enter in notes AA = Anodized Aluminum - enter PN in notes section

NOTES

ORDER NUMBER:

Construction & Mounting

HOUSING

Housing is aluminum extruded. Drivers are remotely located. Decorative end caps protect the ends and add to hiding light leaks.

MOUNTING

Cable mounting with various size canopies and power feeds. Stem mounting is standard and is available in various lengths. . Canopy mounts to standard J-box and larger sizes may require Picasso re-enforced canopy.

LABELING

UL Approved IBEW Union Made

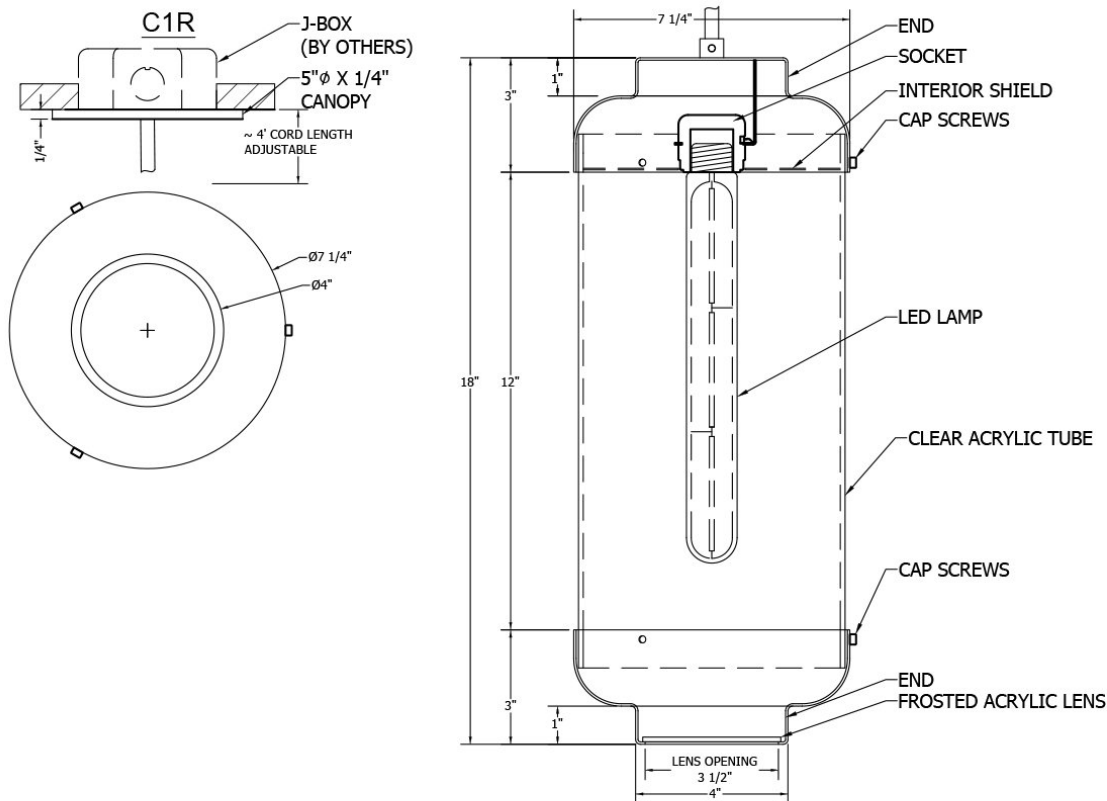
REFLECTOR

Integral powder-coated LED housing with excessive reflectivity for increased lumen output

FINISH

Standard powder-coated colors are white,black and silver. Custom processed wood finishes, aluminum anodized finishes, chrome/gold plating and custom finishes are available as well. We also accept RAL and Pantone numbers for powder-coating color choices

GAMMA PENDANT




Gamma

DECORATIVE PENDANTS


TYPE
PROJECT

Standard Finishes



White
W Black
B Silver
SVR


Plated Aluminum



Antique Brass
PAAB Polished Chrome
PAPC Polished Gold
PAPG

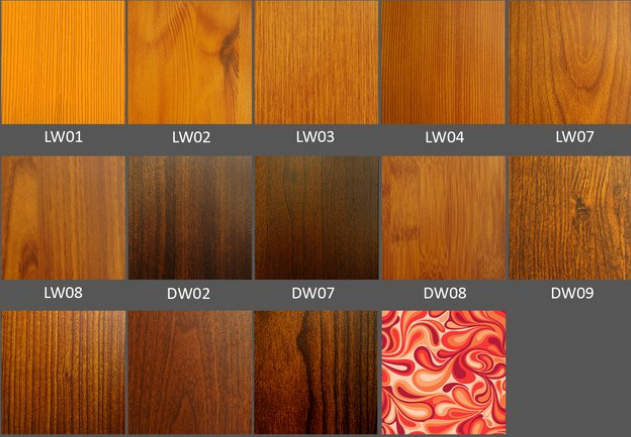
Anodized Aluminum

xxxx-B for Aluminum to be Brushed



Anodized Black
AABK Anodized DK.
Bronze
AADB Anodized LT.
Bronze
AALB Anodized Champagne
AALC Anodized Clear
AACL

Wood Finishes




LW01 LW02 LW03 LW04 LW07

LW08 DW02 DW07 DW08 DW09

DW10 DW11 DW12 Consult Factory

Custom RAL - Custom finishes go to: tiger-coatings.com **Add 8 to Notes**



Standard Finishes - colors are powder coated and do not add to delivery lead time.
 Anodized Aluminum - can be smooth or brushed, color can vary fixture to fixture and adds 2-3 weeks to lead time. Anodized finish is limited in fixture size.
 Plated Aluminum - is a mirror finish in chrome and gold and adds 2 weeks to lead time.
 Woods Finishes - so realistic, wood finish can add up to 3-4 weeks to lead time.

Electrical / Driver

- Drivers - Our drivers are specifically selected based on fixture application to ensure ultimate reliability and long life. We use only UL recognized brands of LED drivers. Our LED drivers feature HPF (high power factor), universal voltage 110 - 277 VAC and include 0-10V dimming. Please note, 277v has longer distances from power feed to power feed then 120v.
- If required, we can supply premium drivers such as Lutron, Eldoled and others upon request. Advanced control systems compliant drivers such as POE, DALI, DMX, etc. are also available, please consult factory.
- Rated life (90% survivorship) of 50,000 hours at 50° C max. ambient (and 70° C max. case) temperature. At maximum driver load: Efficiency >84%, PF>0.9, THD
- Our LED drivers feature HPF (high power factor), universal voltage 110 - 277 VAC and include 0-10V dimming.
- Remote emergency drivers are an option, long life, high temperature, recyclable Ni-Cad battery pack with test switch and charge indicator. EMR is a minimum of 90 minutes operation to meet code.
- POE - We are working with Molex/Igor POE systems. We can add a POE driver into our fixtures or remote them. Based on the fixture you select, we will notify you (or you can contact the factory) to see if we can install the P-driver or the P-driver needs to be remote. Just add POE1 in the spec and we will advise. Please keep in mind you need to specify a complete POE control system before specifying POE1.

LED Performance

LED Output	CCT Color Temp	Watts	Lumens	Lumens per Watt	CCT Multiplier
Low to High	Med Base Socket (your choice by Others)	NA	LED Med base lamp (by others)	1 to 26 Watt max	

- The table above is a quick reference. This Fixture is a Medium Base Socket fixture (LED Lamp supplied by others)
- Custom Lumens Available
- LED life is rated at 50,000 hours

Certifications & Warranties

- Limited five-year limited warranty on all products that are installed according to the product's specifications. Fixture must be properly installed by qualified licensed electricians, who meet and understand local installation requirements. Proper ambient conditions are to be met. The normal indoor temperatures of 50-90 degrees F, no more than 95% RH and sufficient air flow are required. Fixture should not be modified, and no maintenance or repairs should be performed without the written authorization from Picasso Lighting.
- We manufacture based on approved spec sheets and submittals signed by the customers. Change orders must be in writing and will delay delivery.
- Picasso Lighting reserves the right to repair or replace a defective product with another product with a similar design and the same or better performance, or to refund the distributor for the purchase price. The costs of labor to replace luminaires are not covered.
- Warranty does not cover damage caused by transportation, damage caused by using the fixture in an area it is not UL rated for, damage caused by negligence, lack of maintenance, attempts to repair by unqualified or unauthorized personnel, by using non-original accessories/parts, fixtures installed in systems without power surge protection.
- Picasso Lighting must receive in writing any complaints regarding the defective products, no later than 3 weeks from delivery addressed to: ttoledo@picassoltg.com. Picasso Lighting will send a field technician to the site to evaluate the said defective product or may require product to be sent back to the factory for repair. The customer is responsible for the costs of disassembly and reassembly. We do accept field repairs and replacement labor from licensed electrical contractors but not without a written agreement signed by Picasso Lighting official. Failure to adhere to all warranty and certifications will void any recompense and the warranty.
- IBEW USA Union All fixtures are IBEW manufactured and assembled in the USA. UL listed for dry and damp locations.



Note: Picasso lighting industries, LLC reserves the right to make any design changes which will not affect the overall appearance or performance of the product. All ceilings to be adequately reinforced by others. All fixtures to be wired by licensed electrician only. The information contained herein is the sole property of Picasso Lighting Industries, LLC and may not be used without prior written consent of Picasso Lighting Industries, LLC. The 'USGBC member logo' is a trademark owned by the U.S. Green building council and is used by permission. The logo signifies only that Picasso Lighting Industries, LLC is a USGBC member; USGBC does not review, certify, or endorse the products or services offered by its members.